

ITEM #: _____	QTY: _____
MODEL #: _____	
PROJECT NAME: _____	

112017

3601 S. Banker St. Effingham, IL 62401 • P.O. BOX 609 • Ph: (888) 431-2667 • Fax: (800) 433-2667

"OSE26F" DOUBLE OVERSHELVES - ECONOMY SERIES



16GA W/ FLAT TOP

FEATURES:

- STAINLESS STEEL SHELF WITH STALLION SAFETY EDGE ON FRONT AND REAR
- 16 GAUGE, TYPE 300 STAINLESS STEEL WITH #4 POLISH, SATIN FINISH
- UPRIGHTS ARE 1" O.D. ROUND 18 GAUGE TUBING, TYPE 300 STAINLESS STEEL WITH #4 POLISH, SATIN FINISH
- REAR OR CENTER MOUNT (PLEASE SPECIFY)
- SINGLE OVERSHELVES ARE MOUNTED 18" ABOVE TABLE TOP
- DOUBLE OVERSHELVES ARE MOUNTED 12" ABOVE FIRST SHELF
- OVERSHELVES FEATURE KNOCKDOWN SETUP
- ALL MODELS ARE APPROVED BY THE NATIONAL SANITATION FOUNDATION



CONSTRUCTION:

- STAINLESS STEEL OVERSHELVES ARE TIG WELDED
- EXPOSED WELDS ARE POLISHED TO MATCH ADJACENT SURFACES

MATERIAL:

- SHELF: 16 GAUGE, TYPE 300 STAINLESS STEEL, #4 POLISH, SATIN FINISH
- UPRIGHTS: 1" ROUND O.D., 18 GAUGE TYPE 300 TUBULAR STAINLESS STEEL #4 POLISH, SATIN FINISH

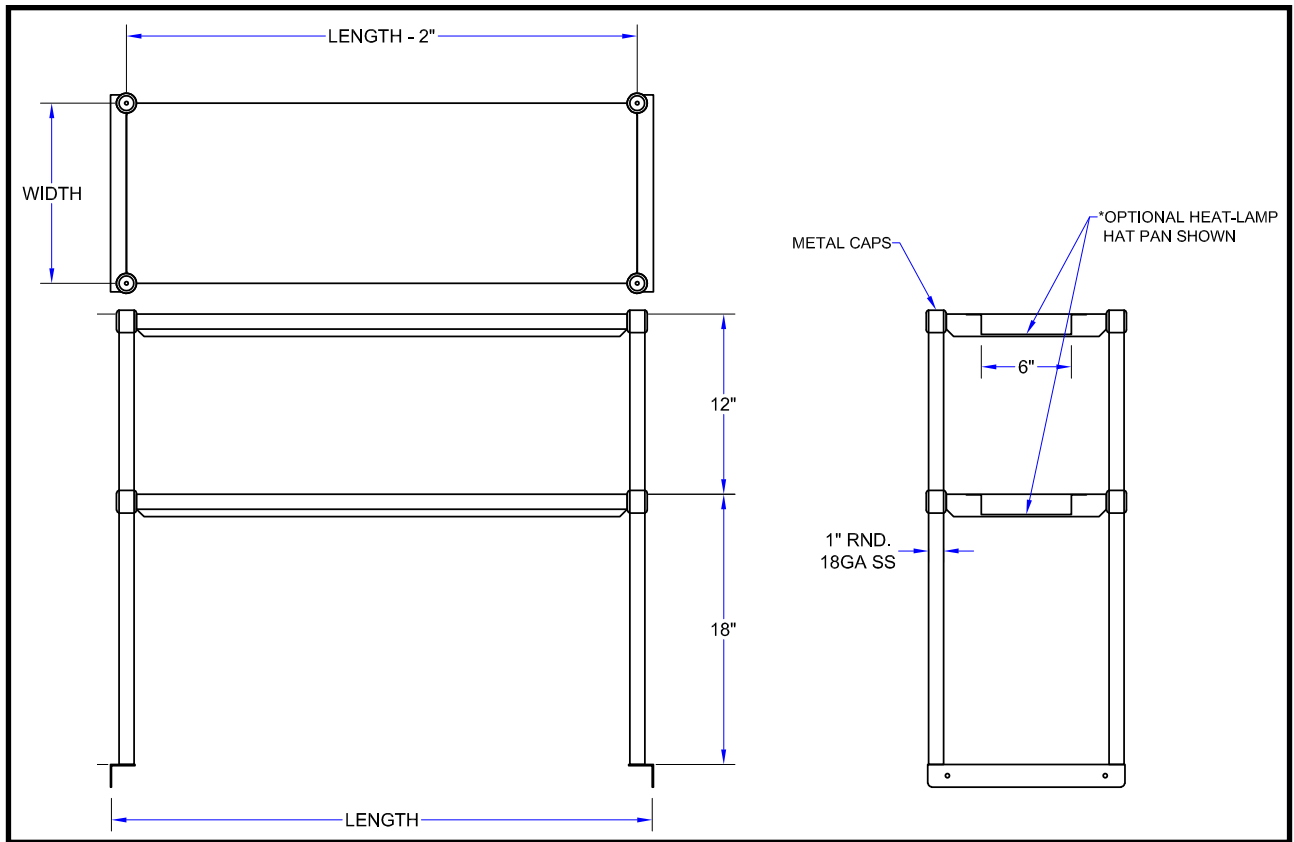
ACCESSORIES:

- HEAT LAMP PROVISION: OSEHLP-6XX
6=WIDTH OF PROVISION, XX=NOMINAL LENGTH OF SHELF

DOUBLE OVERSHELVES - ECONOMY SERIES

12" WIDTH (KNOCKDOWN)	QTY	18" WIDTH (KNOCKDOWN)	QTY
OSE26FK-1236		OSE26FK-1836	
OSE26FK-1248		OSE26FK-1848	
OSE26FK-1260		OSE26FK-1860	
OSE26FK-1272		OSE26FK-1872	
OSE26FK-1284		OSE26FK-1884	
OSE26FK-1296		OSE26FK-1896	
OSE26FK-12108		OSE26FK-18108	
OSE26FK-12120		OSE26FK-18120	
OSE26FK-12132		OSE26FK-18132	
OSE26FK-12144		OSE26FK-18144	

DETAILED SPECIFICATIONS



DOUBLE OVERSHELVES - ECONOMY SERIES

LENGTH	12" WIDTH	WEIGHT (LBS)	18" WIDTH	WEIGHT (LBS)
36"	OSE26FK-1236	24	OSE26FK-1836	36
48"	OSE26FK-1248	31	OSE26FK-1848	44
60"	OSE26FK-1260	37	OSE26FK-1860	52
72"	OSE26FK-1272	43	OSE26FK-1872	55
84"	OSE26FK-1284	49	OSE26FK-1884	70
96"	OSE26FK-1296	55	OSE26FK-1896	80
108"	OSE26FK-12108	61	OSE26FK-18108	88
120"	OSE26FK-12120	71	OSE26FK-18120	98
132"	OSE26FK-12132	79	OSE26FK-18132	106
144"	OSE26FK-12144	89	OSE26FK-18144	114

MODEL # STRUCTURE

6 = GAUGE
 2 = # OF SHELVES
 E = ECONOMY
 OS = OVERSHELF

F = FLAT TOP
 K = KNOCKDOWN
 12 = WIDTH (FRONT/BACK)
 36 = LENGTH (LEFT/RIGHT)

OSE26FK-1236

SOME UNITS SHIP UNASSEMBLED FOR REDUCED SHIPPING COST. ALL DIMENSIONS ARE TYPICAL. TOLERANCE +/- .500"

John Boos & Co. is constantly engaged in a program of improving products and therefore reserves the right to change specifications without prior notice.



3601 S. Banker St. • Effingham, IL 62401 • PO BOX 609 • quotes@johnboos.com

070219



www.johnboos.com

785